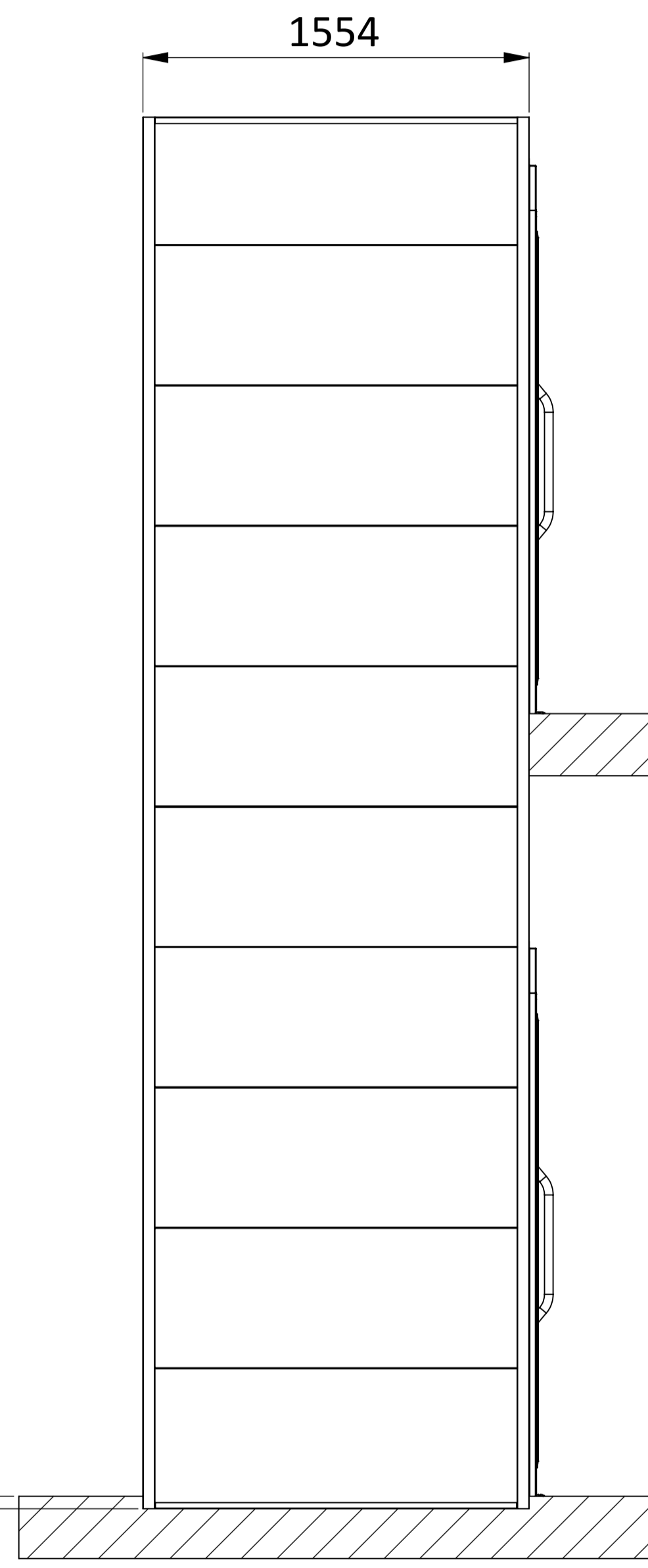
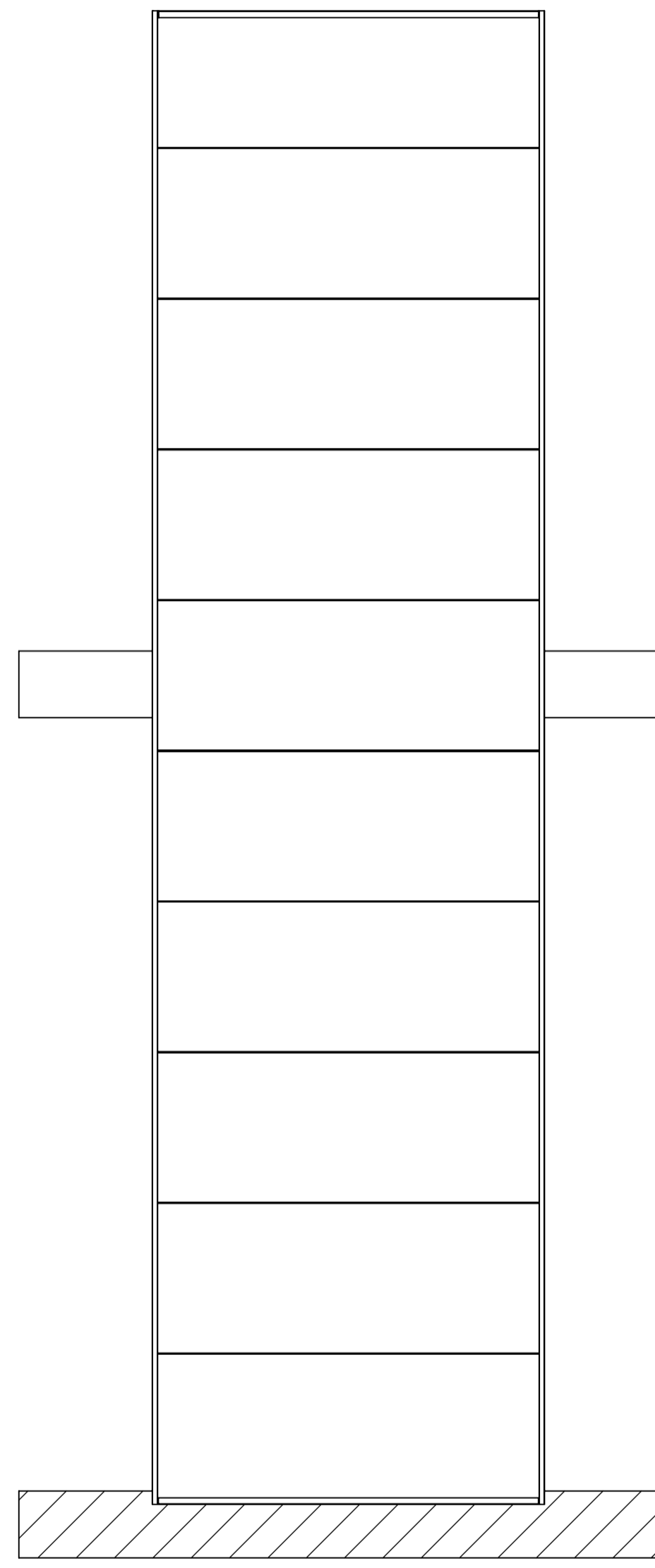


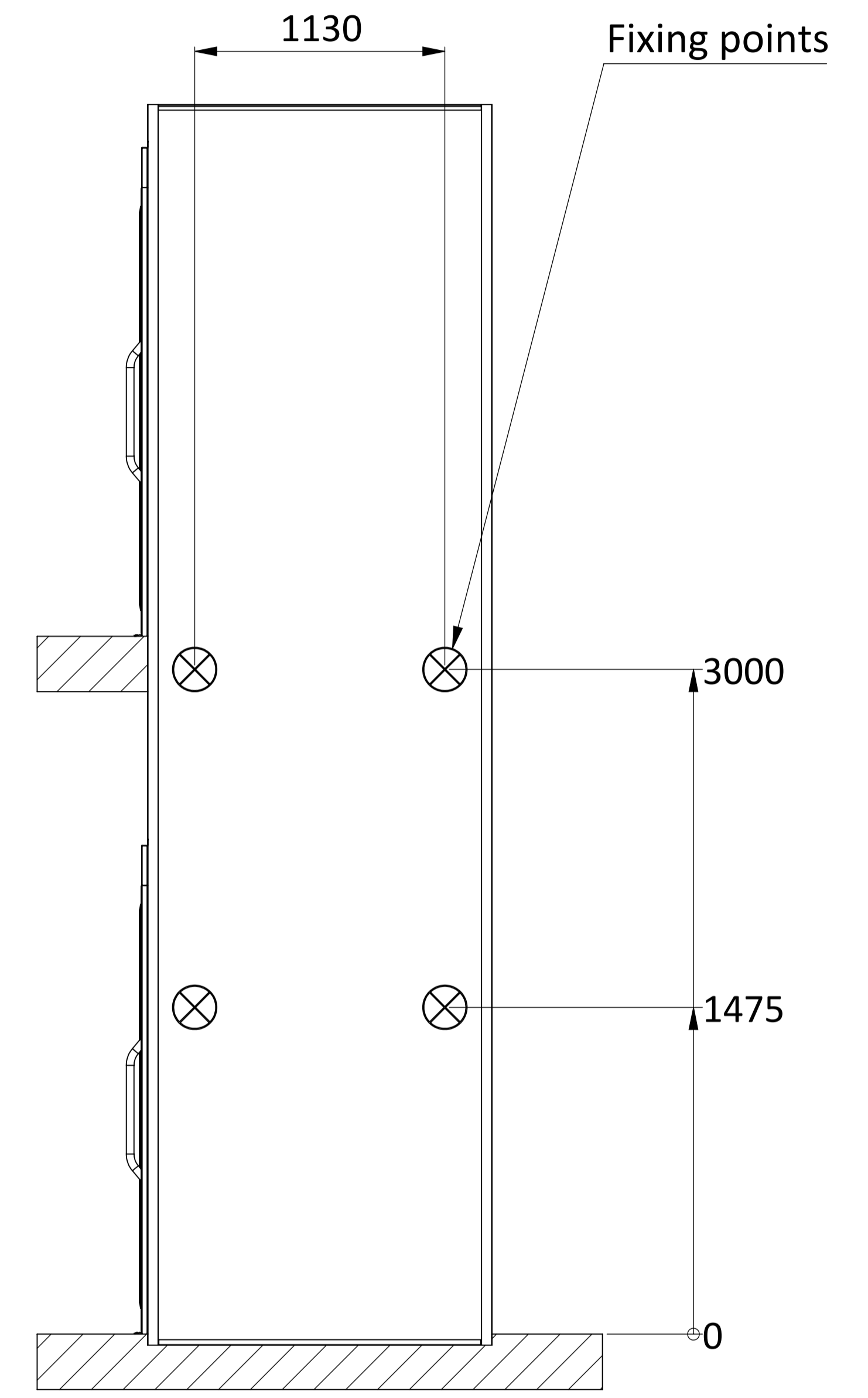
Side A



Side B



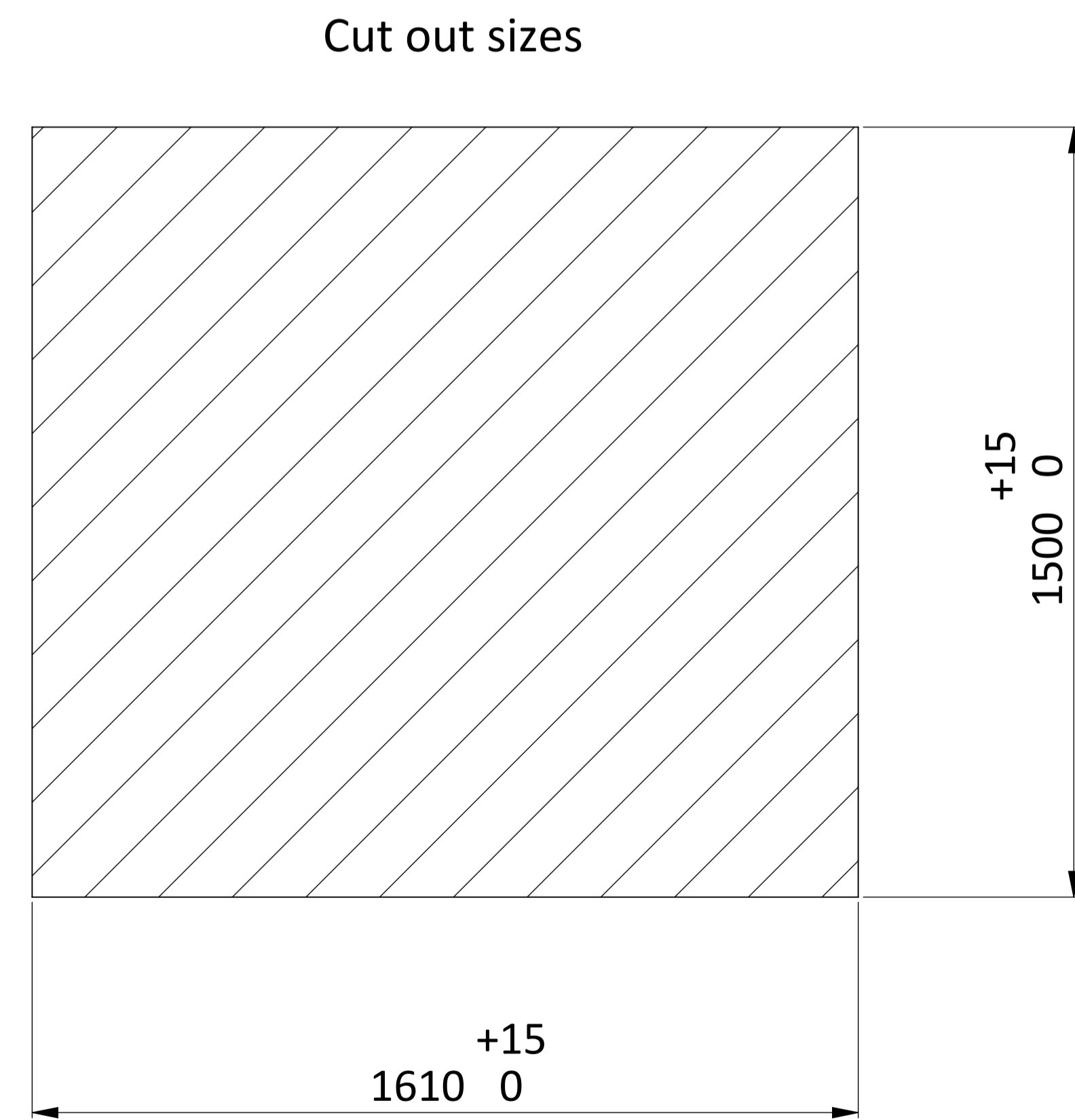
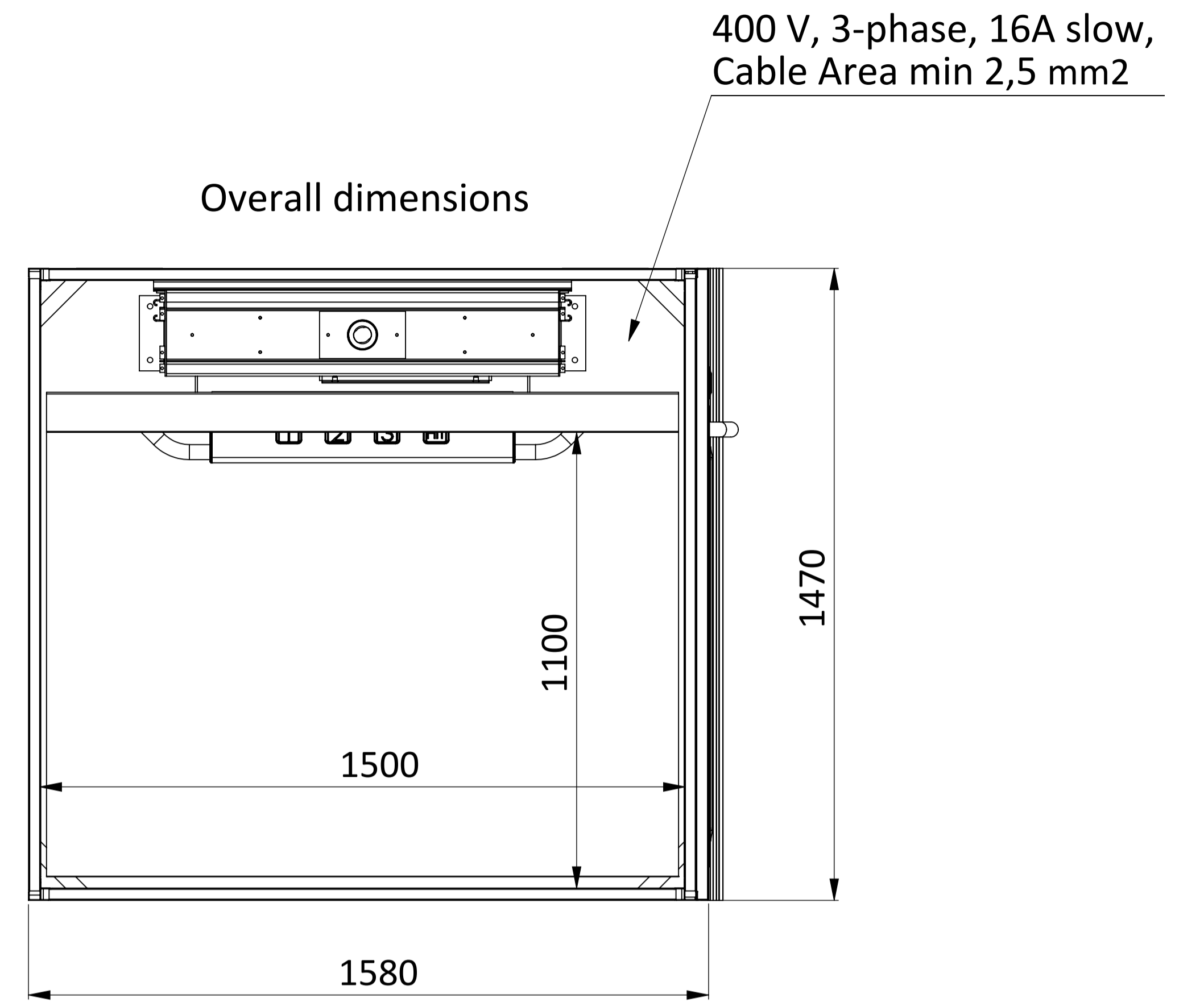
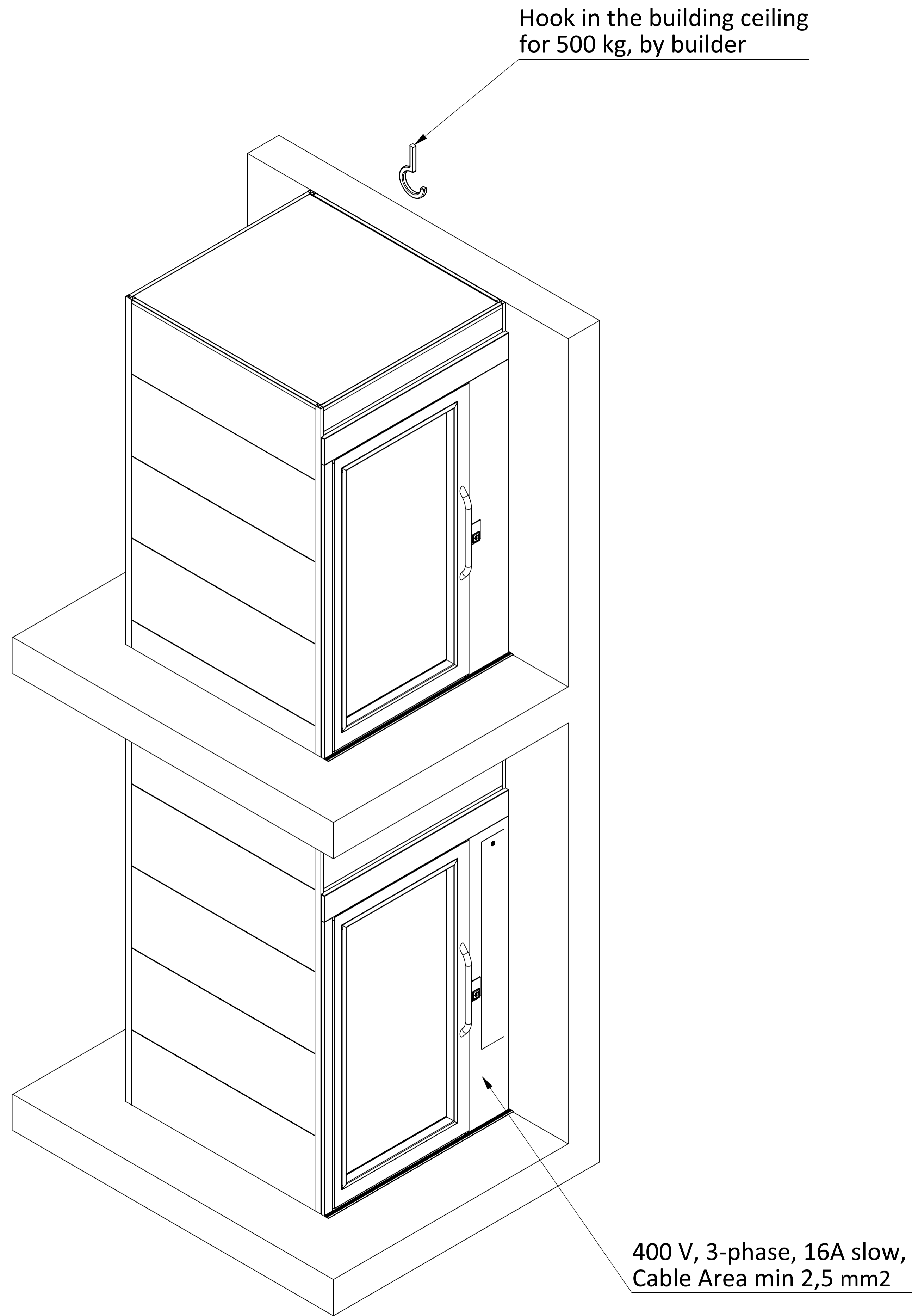
Side C



Side D



Product	Drawn	Checked	Date	Scale	Customer
ILS 05K	TS	JH	2016-06-30	1:20	
Title					
<b>Principal Drawing SE 2stop</b>					
Innovation Lift Scandinavia AB			Document Number		-
Kranvägen 6					
693 33 Degerfors					-00



Product	Drawn	Checked	Date	Scale	Customer
ILS 05K	TS	JH	2016-06-30	1:15 / 1:10	
Title <b>Principal Drawing SE 2stop</b>					
Innovation Lift Scandinavia AB Kranvägen 6 693 33 Degerfors			Document Number -		-Revision -00