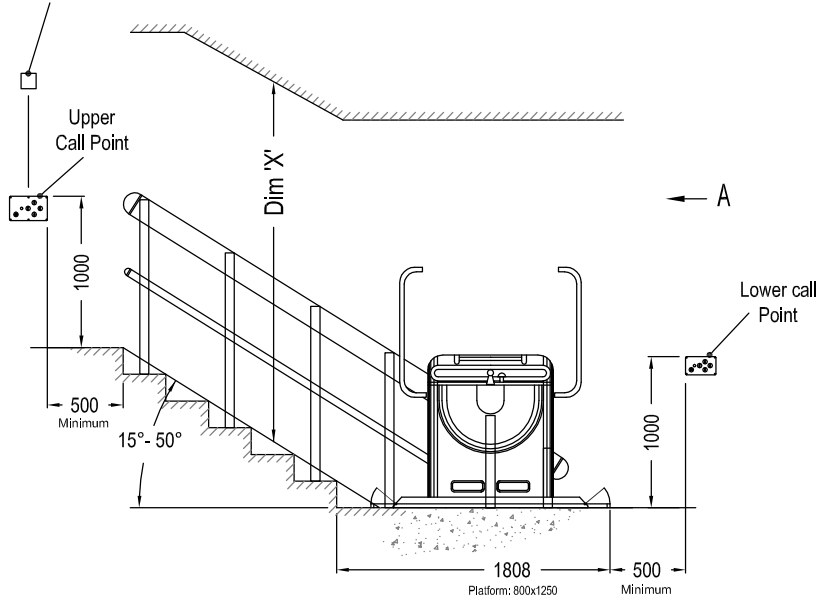




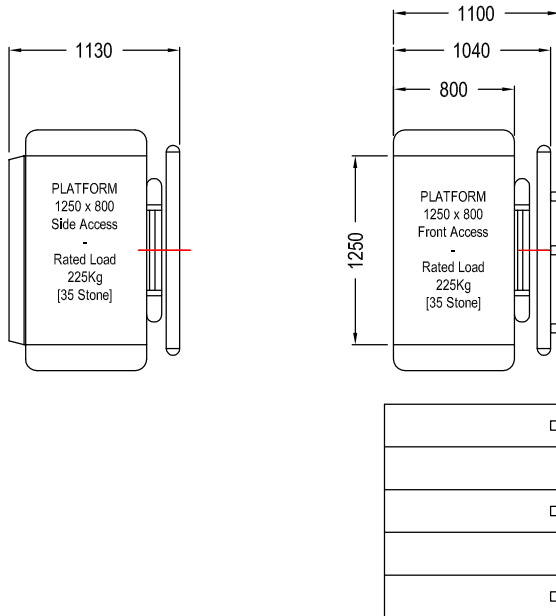
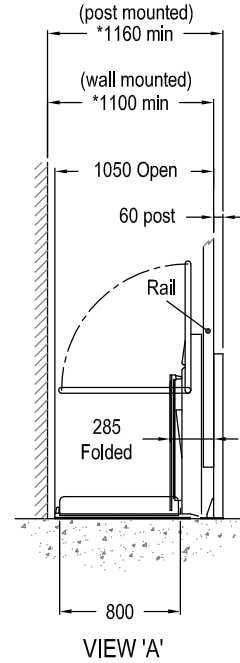
EVO 200 INCLINED PLATFORM LIFT

PLATFORM 800 x 1250

Power Supply
240V 13A
Dedicated
Fused Spur



Add 90mm to dimensions marked * for side access



| Minimum Headroom Required | |
|---------------------------|---------------|
| Angle of Stairs ° | Dimension 'X' |
| 15° | 2045 |
| 20° | 2165 |
| 25° | 2290 |
| 30° | 2420 |
| 35° | 2570 |
| 40° | 2740 |
| 45° | 2940 |
| 50° | 3160 |

A4 Plot @ 1:50 file: EVO 200 - 800x1250 v0.dwg

STATED DIMENSIONS ARE IN MM

THIS DRAWING IS NOT TO BE USED FOR CONSTRUCTION PURPOSES.
FULL SITE DRAWINGS WILL BE ISSUED ON RECEIPT OF ORDER.
THIS DRAWING IS THE PROPERTY OF EVO LIFTS LTD. AND MAY NOT BE PUBLISHED OR REPRODUCED
OR USED FOR MANUFACTURE WITHOUT THE EXPRESS PERMISSION OF THE OWNERS IN WRITING.
EVO LIFTS LTD. RESERVE THE RIGHT TO AMEND THIS SPECIFICATION.



t. 0845 2707584

f. 0845 2707583

e.sales@evolifts.co.uk

www.evolifts.co.uk